

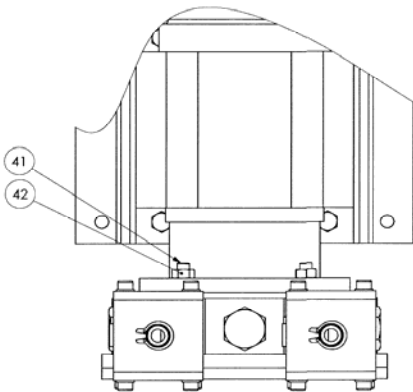
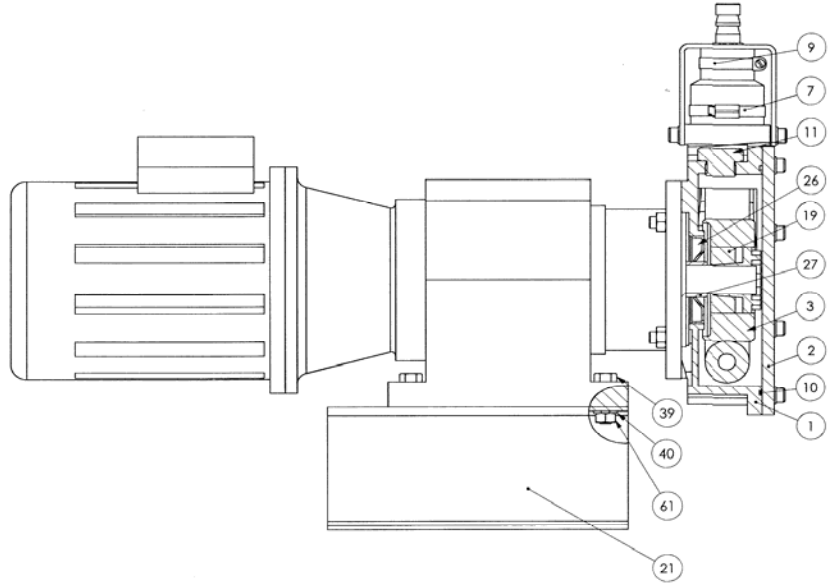
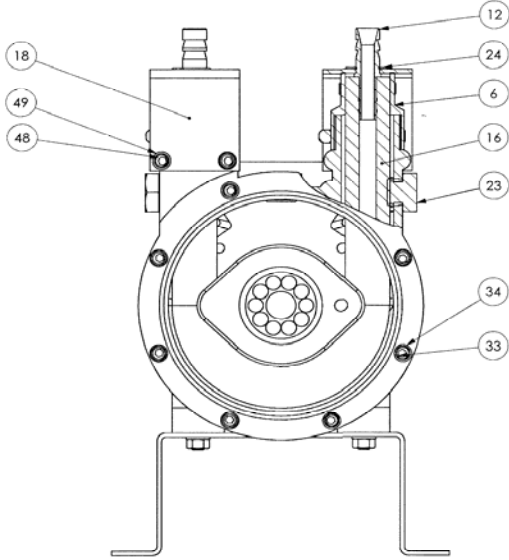
MOUVEX
MODEL :

PARTS LIST
A10

P.L. : 1101-A01

(See Instructions 1101-A00 for Installation, Operation and Maintenance)

Section	1101
Effective	June 2011
Replaces	December 2008



Reference			Description	Variants	Quantity		Article code	Wear parts
Ass.	Part	Available			Order	In Pump	A10	
	2	▲	Cover		1		220206	
	3	▲	Wheel	Shaft diameter 20	1		217456	
	3	▲	Wheel	Shaft diameter 25	1		217457	
	10	▲	Cover seal		1		220198	•
	12	▲	Insert	Stainless steel	1	2	217298	
	12	▲	Insert	PPH	1	2	217299	
	12	▲	Insert	PVDF	1	2	217300	
	1100	▲	Lubricant - Glycerin	1 liter	1		314220.00	•
	1100	▲	Lubricant - Glycerin	2 liters	1		314221.00	•
	16	▲	Hose	NR	1		218712	•
	16	▲	Hose	NBR	1		218713	•
	16	▲	Hose	EPDM	1		218714	•
	18	▲	Bracket		1	2	217130	
	19	▲	Expansable taper lock	Shaft diameter 20	1		217777	
	19	▲	Expansable taper lock	Shaft diameter 25	1		217778	
118		◆	Boot + Hose clamp		1		312817.00	
	6		Nipple			(2)		
	7		Hose clamp			(2)		
	9		Hose clamp			(2)		

Reference			Description	Variants	Quantity		Article code	Wear parts
Ass.	Part	Available			Order	In Pump	A10	
125		◆	Shaft seal + bushing	Shaft diameter 20	1		313021.00	
125		◆	Shaft seal + bushing	Shaft diameter 25	1		313022.00	
	26		Shaft seal			(1)		
	27		Seal ring			(1)		
130		◆	Puncture detection kit		1		312146.00	
	71		Fitting			(1)		
	72		Tee			(1)		
	73		Elbow			(2)		
	76		Fitting			(1)		
	77		Connector			(1)		
	78		Capacitive detector			(1)		
130		◆	Puncture detection kit ATEX		1		314462.00	
	71		Fitting			(1)		
	72		Tee			(1)		
	73		Elbow			(2)		
	76		Fitting			(1)		
	77		Connector			(1)		
	78		Capacitive detector			(1)		
	84		Amplifier			(1)		

(◆) To order the required spare parts, indicate the appropriate CUM numbers.

Keep this parts lists with Installation, Operation and Maintenance Instructions.

CVT : FEP encapsulated FKM



Z.I. la Plaine des Isles - 2 rue des Caillottes F-89000 AUXERRE - FRANCE

Tel : +33 (0)3 86 49 86 30 • Fax : +33 (0)3 86 49 87 17

contact@mouvex.com • www.mouvex.com