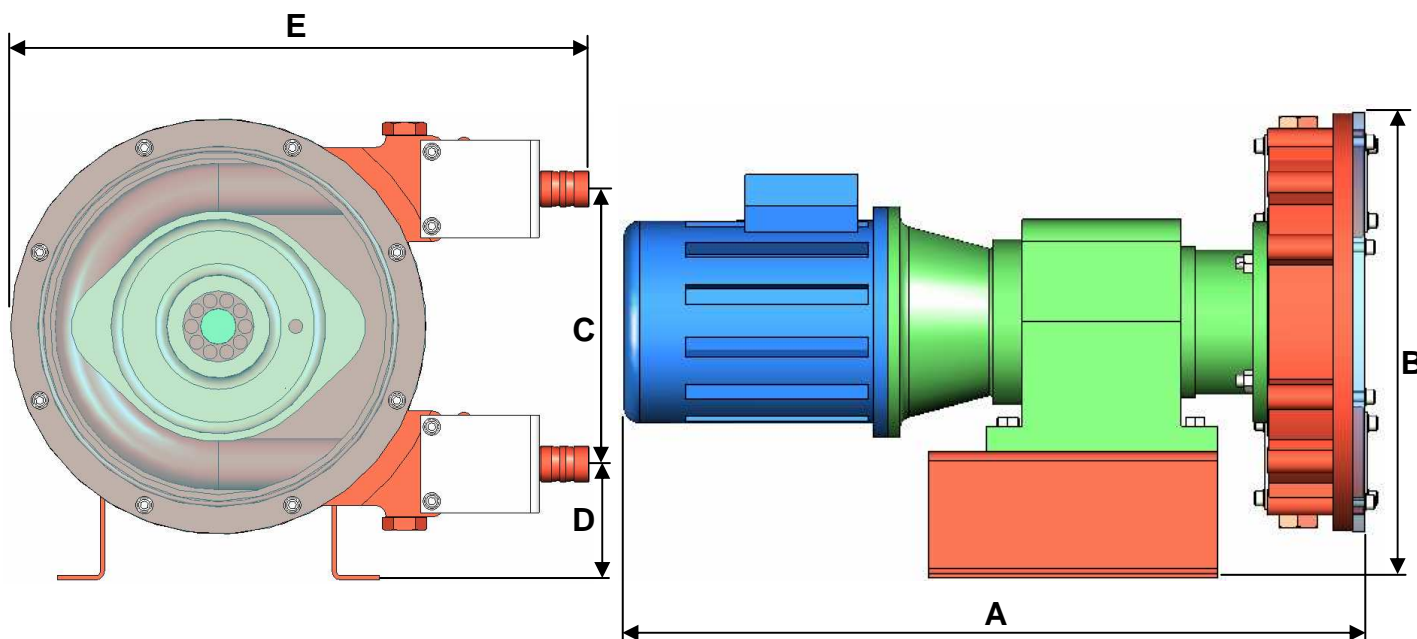


CHARACTERISTICS

		STANDARD	AVAILABLE OPTIONS
Technology		Peristaltic	
Maximum Flow rate at 1 cSt L/h (GPM)		750 (3.3) (1)	
Ports		Nipples	
Dimensions mm (in.)	A	690 (27.17)	
	B	322 (12.68)	
	C	192 (7.56)	
	D	81 (3.19)	
	E	404 (15.9)	
Weight kg (lbs)		35 (33)	

(1) Intermittent duty only.



OPERATING LIMITS

	STANDARD MATERIALS	OPTIONAL MATERIALS
Minimum temperature °C (°F)	0 (32)	
Maximum temperature °C (°F)	70 (158)	80 (176) with EPDM hose
Maximum viscosity cSt (SSU)	25000 (116000)	
Maximum differential pressure bar (psi)	8 (116)	
Maximum speed rpm	90 (1)	
Maximum solid particle size mm (in)	3 (0.12)	
Maximum soft particle size mm (in)	5 (0.20)	

(1) Intermittent duty only.

MATERIALS OF CONSTRUCTION

Part No	PART NAME	STANDARD MATERIALS	AVAILABLE OPTIONS
1	Casing	Ductile Iron	
2	Cover	Polycarbonate	
3	Wheel	Ductile Iron	
6	Boot	EPDM	
10	Cover seal	FKM	
26	Lip seal	FKM	
12	Insert	316L Stainless steel	PPH, PVDF
16	Hose	NR	NBR, EPDM
18	Bracket	316L stainless steel	
	Bolts, screws, washers	316L stainless steel	

