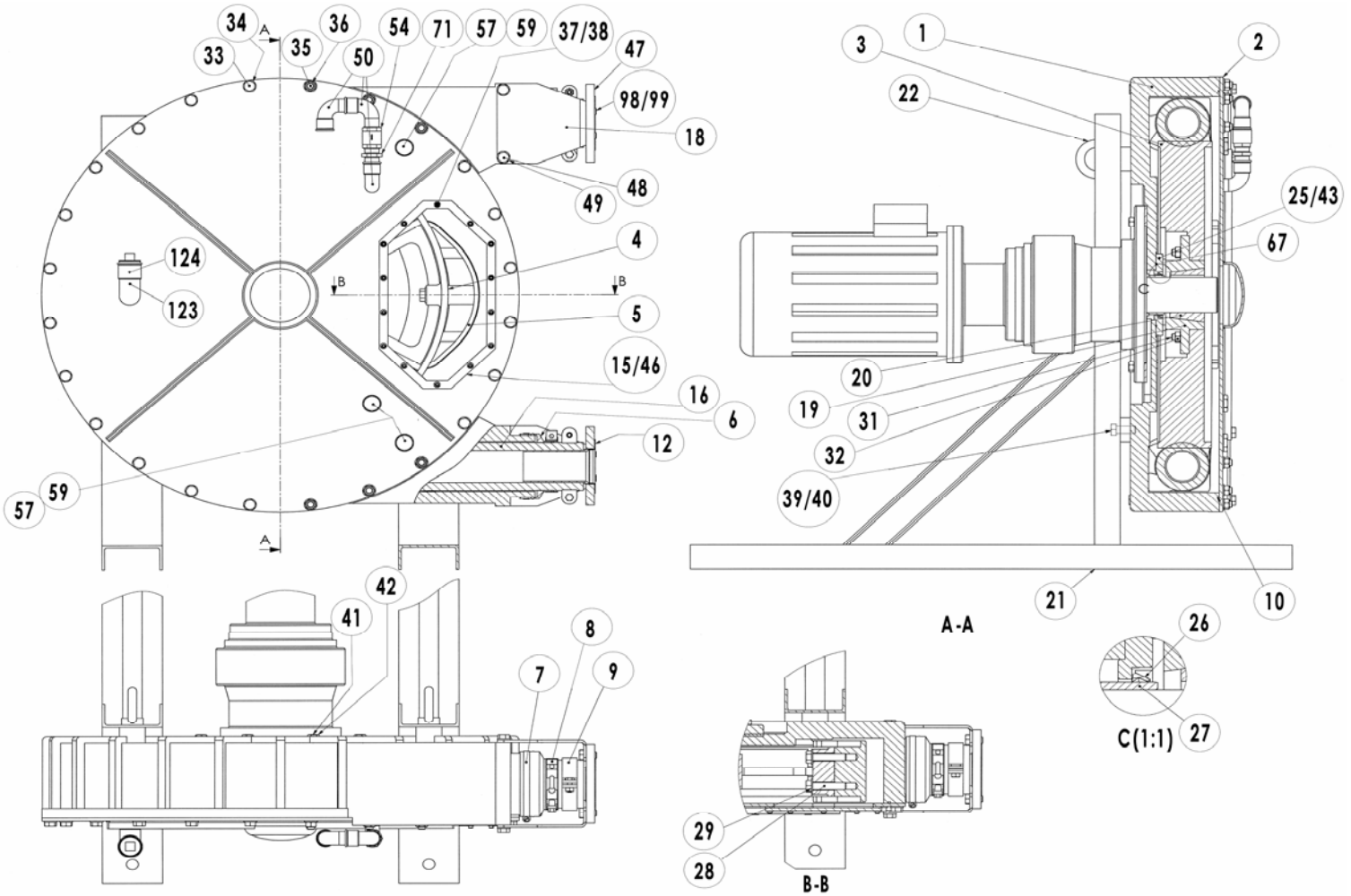


(See Instructions 1101-L00 for Installation, Operation and Maintenance)

|           |           |
|-----------|-----------|
| Section   | 1101      |
| Effective | June 2011 |
| Replaces  | July 2010 |



| Reference |      |           | Description          | Variants        | Quantity |         | Article code     | Wear parts |
|-----------|------|-----------|----------------------|-----------------|----------|---------|------------------|------------|
| Ass.      | Part | Available |                      |                 | Order    | In Pump | A80              |            |
|           | 3    | ▲         | Wheel                |                 | 1        |         | 217293           |            |
|           | 10   | ▲         | Cover seal           |                 | 1        |         | 220203           | •          |
|           | 12   | ▲         | Insert               | Stainless steel | 1        | 2       | 217328           |            |
|           | 12   | ▲         | Insert               | PPH             | 1        | 2       | 217329           |            |
|           | 1100 | ▲         | Lubricant - Glycerin | 10 liters       | 1        |         | 314223.00        | •          |
|           | 1100 | ▲         | Lubricant - Glycerin | 30 liters       | 1        |         | 314224.00        | •          |
|           | 15   | ▲         | Window               |                 | 1        |         | 220211           |            |
|           | 16   | ▲         | Hose                 | NR              | 1        |         | 218745           | •          |
|           | 16   | ▲         | Hose                 | NBR             | 1        |         | 218746           | •          |
|           | 16   | ▲         | Hose                 | EPDM            | 1        |         | 218747           | •          |
|           | 18   | ▲         | Bracket              | Flange PN16     | 1        | 4       | 217140           |            |
|           | 18   | ▲         | Bracket              | Flange PN20     | 1        | 4       | 219102           |            |
|           | 46   | ▲         | Window seal          |                 | 1        |         | 217399           |            |
| 114       |      | ◆         | <b>Set of shims</b>  |                 | 1        |         | <b>312362.00</b> |            |
|           | 4    |           | Removable shim       |                 |          | (14)    |                  |            |

| Reference |      |           | Description                 | Variants           | Quantity |         | Article code | Wear parts |
|-----------|------|-----------|-----------------------------|--------------------|----------|---------|--------------|------------|
| Ass.      | Part | Available |                             |                    | Order    | In Pump | A80          |            |
| 116       |      | ◆         | Wheel fixation kit          | Shaft diameter 90  | 1        |         | 312797.00    |            |
| 116       |      | ◆         | Wheel fixation kit          | Shaft diameter 100 | 1        |         | 312803.00    |            |
|           | 19   |           | Plate to be screwed         |                    |          | (1)     |              |            |
|           | 20   |           | Hub                         |                    |          | (1)     |              |            |
|           | 25   |           | Tightness cover             |                    |          | (1)     |              |            |
|           | 26   |           | Shaft seal                  |                    |          | (1)     |              |            |
|           | 27   |           | Seal ring                   |                    |          | (1)     |              |            |
|           | 31   |           | Screw                       |                    |          | (6)     |              |            |
|           | 32   |           | Nut                         |                    |          | (6)     |              |            |
|           | 43   |           | Screw                       |                    |          | (4)     |              |            |
|           | 67   |           | Seal                        |                    |          | (1)     |              |            |
| 118       |      | ◆         | Boot + Hose clamp           |                    | 1        |         | 312799.00    |            |
|           | 6    |           | Nipple                      |                    |          | (2)     |              |            |
|           | 7    |           | Hose clamp                  |                    |          | (2)     |              |            |
|           | 8    |           | Hose clamp                  |                    |          | (2)     |              |            |
|           | 9    |           | Hose clamp                  |                    |          | (2)     |              |            |
| 119       |      | ◆         | Set of shoes                | Aluminium          | 1        |         | 312801.00    |            |
|           | 4a   |           | Fixed shim                  |                    |          | (6)     |              |            |
|           | 4b   |           | Fixed shim                  |                    |          | (4)     |              |            |
|           | 5    |           | Shoe                        |                    |          | (2)     |              |            |
| 125       |      | ◆         | Shaft seal + bushing        |                    | 1        |         | 314577.00    |            |
|           | 26   |           | Shaft seal                  |                    |          | (1)     |              |            |
|           | 27   |           | Seal ring                   |                    |          | (1)     |              |            |
| 130       |      | ◆         | Puncture detection kit      |                    | 1        |         | 311839.00    |            |
|           | 50   |           | Elbow                       |                    |          | (1)     |              |            |
|           | 54   |           | Valve                       |                    |          | (1)     |              |            |
|           | 71   |           | Fitting                     |                    |          | (2)     |              |            |
|           | 72   |           | Tee                         |                    |          | (1)     |              |            |
|           | 73   |           | Elbow                       |                    |          | (1)     |              |            |
|           | 76   |           | Fitting                     |                    |          | (1)     |              |            |
|           | 77   |           | Connector                   |                    |          | (1)     |              |            |
|           | 78   |           | Capacitive detector         |                    |          | (1)     |              |            |
| 130       |      | ◆         | Puncture detection kit ATEX |                    | 1        |         | 313746.00    |            |
|           | 50   |           | Elbow                       |                    |          | (1)     |              |            |
|           | 54   |           | Valve                       |                    |          | (1)     |              |            |
|           | 71   |           | Fitting                     |                    |          | (2)     |              |            |
|           | 72   |           | Tee                         |                    |          | (1)     |              |            |
|           | 73   |           | Elbow                       |                    |          | (1)     |              |            |
|           | 76   |           | Fitting                     |                    |          | (1)     |              |            |
|           | 77   |           | Connector                   |                    |          | (1)     |              |            |
|           | 78   |           | Capacitive detector         |                    |          | (1)     |              |            |
|           | 84   |           | Amplifier                   |                    |          | (1)     |              |            |

(◆) To order the required spare parts, indicate the appropriate CUM numbers.

Keep this parts lists with Installation, Operation and Maintenance Instructions.

CVT : FEP encapsulated FKM



Z.I. la Plaine des Isles - 2 rue des Caillottes F-89000 AUXERRE - FRANCE

Tel : +33 (0)3 86 49 86 30 • Fax : +33 (0)3 86 49 87 17

contact@mouvex.com • www.mouvex.com