

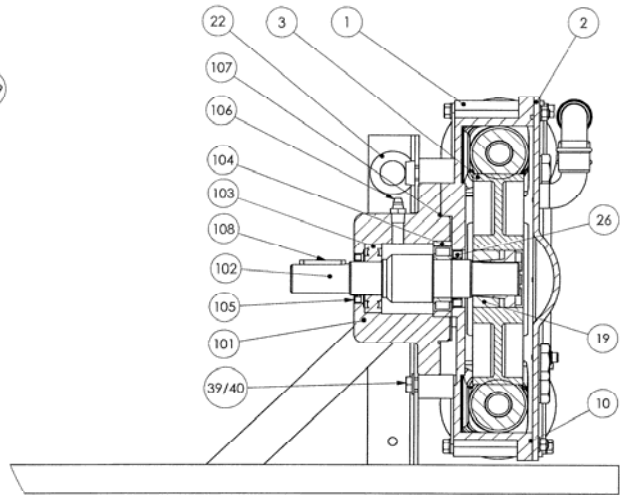
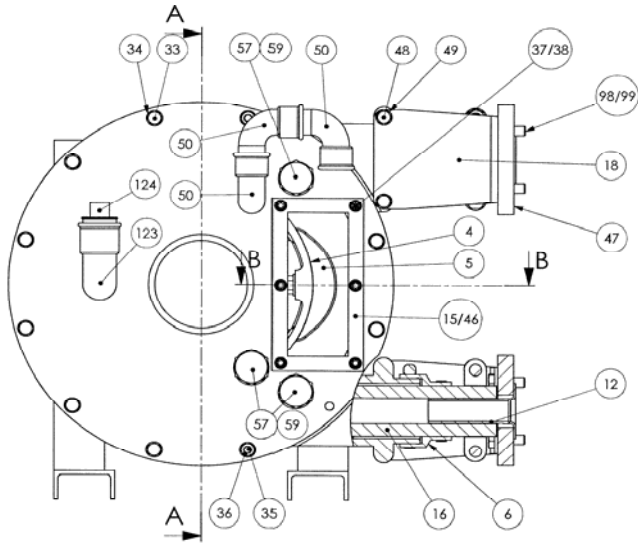
**MOUVEX**  
MODEL :

**PARTS LIST**  
**AS25**

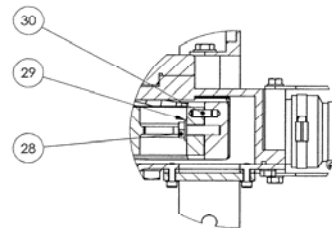
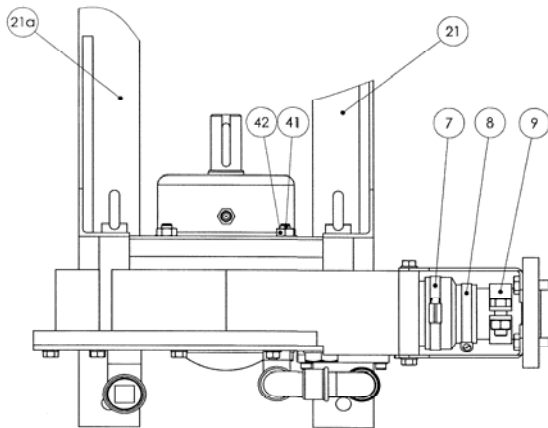
P.L. : 1101-D02

(See Instructions 1101-D00 for Installation, Operation and Maintenance)

|           |           |
|-----------|-----------|
| Section   | 1101      |
| Effective | June 2011 |
| Replaces  | July 2010 |



A-A



COUPE B-B

| Reference  |      |           | Description           | Variants        | Quantity |         | Article code     | Wear parts |
|------------|------|-----------|-----------------------|-----------------|----------|---------|------------------|------------|
| Ass.       | Part | Available |                       |                 | Order    | In Pump | AS25             |            |
|            | 3    | ▲         | Wheel                 |                 | 1        |         | 218020           |            |
|            | 10   | ▲         | Cover seal            |                 | 1        |         | 220200           | •          |
|            | 12   | ▲         | Insert                | Stainless steel | 1        | 2       | 217461           |            |
|            | 12   | ▲         | Insert                | PPH             | 1        | 2       | 217052           |            |
|            | 12   | ▲         | Insert                | PVDF            | 1        | 2       | 217053           |            |
|            | 1100 | ▲         | Lubricant - Glycerin  | 2 liters        | 1        |         | 314221.00        | •          |
|            | 1100 | ▲         | Lubricant - Glycerin  | 5 liters        | 1        |         | 314222.00        | •          |
|            | 15   | ▲         | Window                |                 | 1        |         | 220208           |            |
|            | 16   | ▲         | Hose                  | NR              | 1        |         | 218721           | •          |
|            | 16   | ▲         | Hose                  | NBR             | 1        |         | 218722           | •          |
|            | 16   | ▲         | Hose                  | EPDM            | 1        |         | 218723           | •          |
|            | 18   | ▲         | Bracket               |                 | 1        | 4       | 219094           |            |
|            | 19   | ▲         | Expansable taper lock |                 | 1        |         | 218022           |            |
|            | 26   | ▲         | Shaft seal            |                 | 1        |         | 220215           |            |
|            | 46   | ▲         | Window seal           |                 | 1        |         | 217040           |            |
| <b>114</b> |      | ◆         | <b>Set of shims</b>   |                 | <b>1</b> |         | <b>312357.00</b> |            |
|            | 4    |           | Removable shim        |                 |          | (12)    |                  |            |

| Reference |      |           | Description  | Variants  | Quantity |  | Article code | Wear parts |
|-----------|------|-----------|--|-----------|----------|--|--------------|------------|
| Ass.      | Part | Available |  |           | Order    | In Pump  | AS25         |            |
| 117       |      | ◆         | <b>Bearing box</b><br>Bearing box<br>Pump Shaft<br>Bearing<br>Bearing<br>Seal<br>Grease nipple<br>Seal<br>Key                      |           | 1        | (1)<br>(1)<br>(1)<br>(1)<br>(1)<br>(1)<br>(1)<br>(1) | 312790.00    |            |
| 118       |      | ◆         | <b>Boot + Hose clamp</b><br>Nipple<br>Hose clamp<br>Hose clamp<br>Hose clamp   |           | 1        | (2)<br>(2)<br>(2)<br>(2)                             | 312787.00    |            |
| 119       |      | ◆         | <b>Set of shoes</b>  | Aluminium | 1        |  | 312788.00    |            |
| 119       |      | ◆         | <b>Set of shoes</b><br>Shoe<br>Pin   | Iron      | 1        | (2)<br>(2)   | 312789.00    |            |
| 130       |      | ◆         | <b>Puncture detection kit</b><br>Elbow<br>Fitting<br>Tee<br>Elbow<br>Fitting<br>Connector<br>Capacitive detector                   |           | 1        | (1)<br>(1)<br>(1)<br>(1)<br>(1)<br>(1)<br>(1)        | 311840.00    |            |
| 130       |      | ◆         | <b>Puncture detection kit ATEX</b><br>Elbow<br>Fitting<br>Tee<br>Elbow<br>Fitting<br>Connector<br>Capacitive detector<br>Amplifier |           | 1        | (1)<br>(1)<br>(1)<br>(1)<br>(1)<br>(1)<br>(1)<br>(1) | 313739.00    |            |

(◆) To order the required spare parts, indicate the appropriate CUM numbers.

Keep this parts lists with Installation, Operation and Maintenance Instructions.

CVT : FEP encapsulated FKM



Z.I. la Plaine des Isles - 2 rue des Caillottes F-89000 AUXERRE - FRANCE

Tel : +33 (0)3 86 49 86 30 • Fax : +33 (0)3 86 49 87 17

contact@mouvex.com • www.mouvex.com