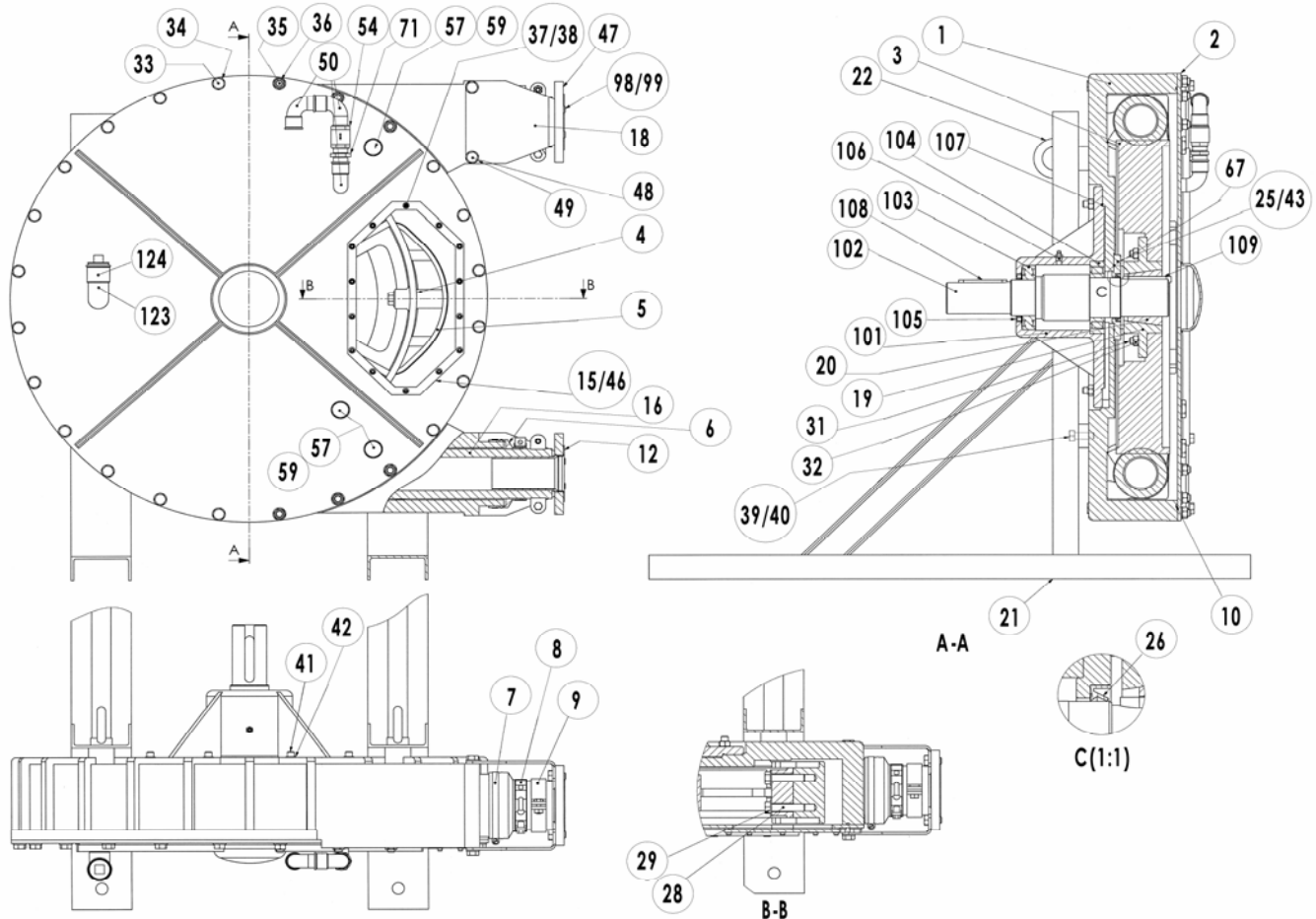


(See Instructions 1101-L00 for Installation, Operation and Maintenance)

Section Effective Replaces	1101 June 2011 July 2010
----------------------------	--------------------------------



Reference			Description	Variants	Quantity		Article code	Wear parts
Ass.	Part	Available			Order	In Pump	AS80	
	3	▲	Wheel		1		217293	
	10	▲	Cover seal		1		220203	•
	12	▲	Insert	Stainless steel	1	2	217328	•
	1100	▲	Lubricant - Glycerin	10 liters	1		314223.00	•
	1100	▲	Lubricant - Glycerin	30 liters	1		314224.00	•
	15	▲	Window		1		220211	
	16	▲	Hose	NR	1		218745	•
	16	▲	Hose	NBR	1		218746	•
	16	▲	Hose	EPDM	1		218747	•
	18	▲	Bracket	Flange PN16	1	4	217140	
	18	▲	Bracket	Flange PN20	1	4	219102	
	46	▲	Window seal		1		217399	
116		◆	Wheel fixation kit		1		312798.00	
	19		Plate to be screwed			(1)		
	20		Hub			(1)		
	25		Tightness cover			(1)		
	26		Shaft seal			(1)		
	31		Screw			(6)		
	32		Nut			(6)		
	43		Screw			(4)		
	67		Seal			(1)		
114		◆	Set of shims		1		312362.00	
	4		Removable shim			(14)		

Reference			Description	Variants	Quantity		Article code	Wear parts
Ass.	Part	Available			Order	In Pump	AS80	
117		◆	Bearing box		1		312800.00	
	101		Bearing box			(1)		
	102		Pump Shaft			(1)		
	103		Bearing			(1)		
	104		Bearing			(1)		
	105		Seal			(1)		
	106		Grease nipple			(1)		
	107		Seal			(1)		
	108		Key			(1)		
	109		Key			(1)		
118		◆	Boot + Hose clamp		1		312799.00	
	6		Nipple			(2)		
	7		Hose clamp			(2)		
	8		Hose clamp			(2)		
	9		Hose clamp			(2)		
119		◆	Set of shoes	Aluminium	1		312801.00	
	4a		Fixed shim			(6)		
	4b		Fixed shim			(4)		
	5		Shoe			(2)		
130		◆	Puncture detection kit		1		311839.00	
	50		Elbow			(1)		
	54		Valve			(1)		
	71		Fitting			(2)		
	72		Tee			(1)		
	73		Elbow			(1)		
	76		Fitting			(1)		
	77		Connector			(1)		
	78		Capacitive detector			(1)		
130		◆	Puncture detection kit ATEX		1		313746.00	
	50		Elbow			(1)		
	54		Valve			(1)		
	71		Fitting			(2)		
	72		Tee			(1)		
	73		Elbow			(1)		
	76		Fitting			(1)		
	77		Connector			(1)		
	78		Capacitive detector			(1)		
	84		Amplifier			(1)		

(◆) To order the required spare parts, indicate the appropriate CUM numbers.

Keep this parts lists with Installation, Operation and Maintenance Instructions.

CVT : FEP encapsulated FKM



Z.I. la Plaine des Isles - 2 rue des Caillottes F-89000 AUXERRE - FRANCE

Tel : +33 (0)3 86 49 86 30 • Fax : +33 (0)3 86 49 87 17

contact@mouvex.com • www.mouvex.com