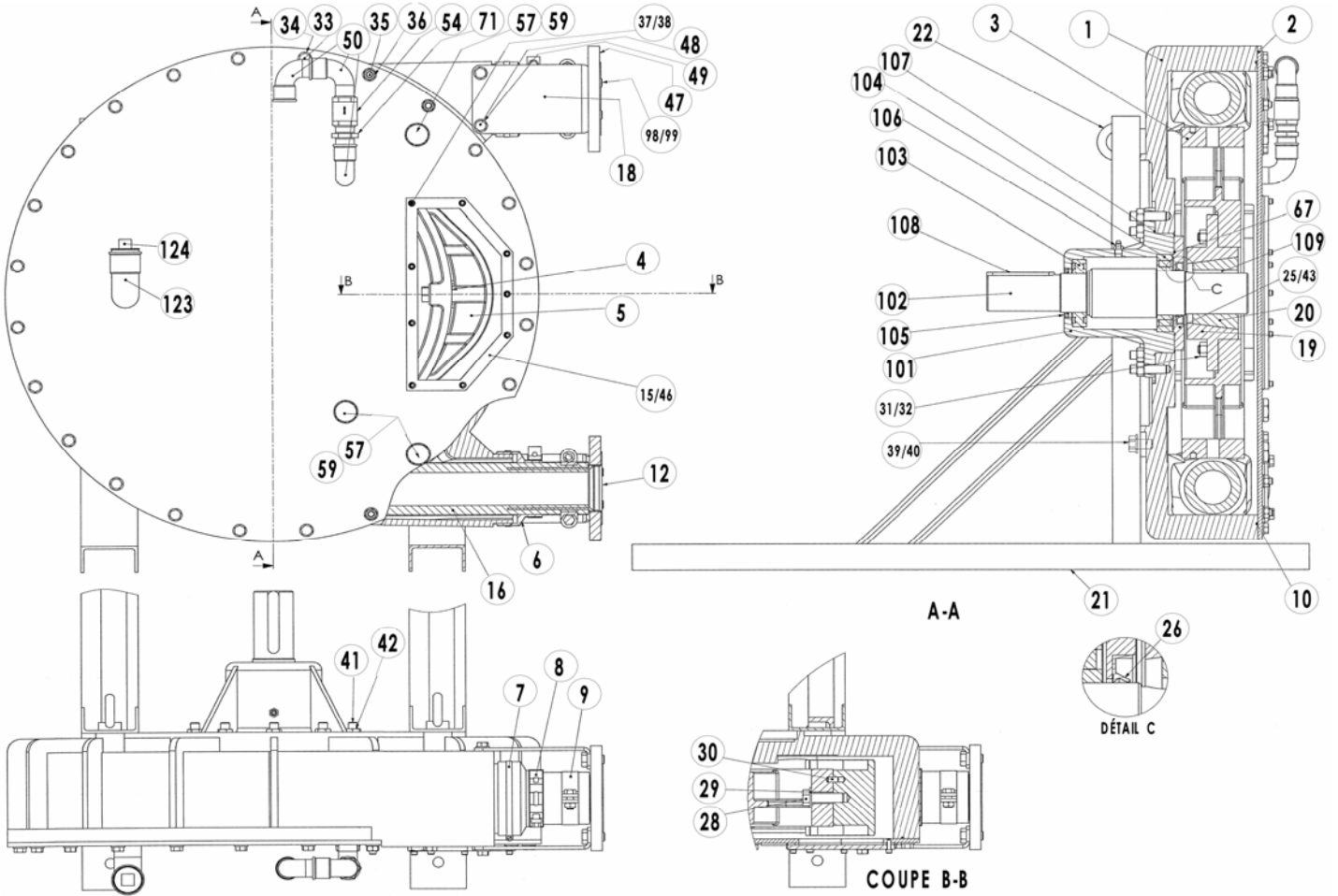


(See Instructions 1101-M00 for Installation, Operation and Maintenance)

| | |
|-----------|-----------|
| Section | 1101 |
| Effective | June 2011 |
| Replaces | July 2010 |



| Reference | | | Description | Variants | Quantity | | Article code ASX80 | Wear parts |
|-----------|------|-----------|--------------------------------|-----------------|----------|---------|-----------------------|------------|
| Ass. | Part | Available | | | Order | In Pump | | |
| | 3 | ▲ | Wheel | | 1 | | 219658 | |
| | 10 | ▲ | Cover seal | | 1 | | 220202 | • |
| | 12 | ▲ | Insert | Stainless steel | 1 | 2 | 217328 | • |
| | 1100 | ▲ | Lubricant - Glycerin | 10 liters | 1 | | 314223.00 | • |
| | 1100 | ▲ | Lubricant - Glycerin | 30 liters | 1 | | 314224.00 | • |
| | 15 | ▲ | Window | | 1 | | 220210 | |
| | 16 | ▲ | Hose | NR | 1 | | 218742 | • |
| | 16 | ▲ | Hose | NBR | 1 | | 218743 | • |
| | 16 | ▲ | Hose | EPDM | 1 | | 218744 | • |
| | 18 | ▲ | Bracket | Flange PN16 | 1 | 4 | 217139 | |
| | 18 | ▲ | Bracket | Flange PN20 | 1 | 4 | 219101 | |
| | 20 | ▲ | Hub | | 1 | | 217158 | |
| | 46 | ▲ | Window seal | | 1 | | 217398 | |
| 114 | 4 | ◆ | Set of shims Removable shim | | 1 | (12) | 312361.00 | |

| Reference | | | Description | Variants | Quantity | | Article code | Wear parts |
|-----------|------|-----------|------------------------------------|-----------|----------|---------|--------------|------------|
| Ass. | Part | Available | | | Order | In Pump | ASX80 | |
| 116 | | ◆ | Wheel fixation kit | | 1 | | 313044.00 | |
| | 19 | | Plate to be screwed | | | (1) | | |
| | 31 | | Screw | | | (6) | | |
| | 32 | | Nut | | | (6) | | |
| 117 | | ◆ | Bearing box | | 1 | | 312794.00 | |
| | 25 | | Tightness cover | | | (1) | | |
| | 26 | | Shaft seal | | | (1) | | |
| | 43 | | Screw | | | (8) | | |
| | 67 | | Seal | | | (1) | | |
| | 101 | | Bearing box | | | (1) | | |
| | 102 | | Pump Shaft | | | (1) | | |
| | 103 | | Bearing | | | (1) | | |
| | 104 | | Bearing | | | (1) | | |
| | 105 | | Seal | | | (1) | | |
| | 106 | | Grease nipple | | | (1) | | |
| | 107 | | Seal | | | (1) | | |
| | 108 | | Key | | | (1) | | |
| | 109 | | Key | | | (1) | | |
| 112 | | Spacer | | | (1) | | | |
| 113 | | Spacer | | | (1) | | | |
| 118 | | ◆ | Boot + Hose clamp | | 1 | | 312793.00 | |
| | 6 | | Nipple | | | (2) | | |
| | 7 | | Hose clamp | | | (2) | | |
| | 8 | | Hose clamp | | | (2) | | |
| 119 | | ◆ | Set of shoes | Aluminium | 1 | | 312795.00 | |
| | 4a | | Fixed shim | | | (6) | | |
| | 4b | | Fixed shim | | | (4) | | |
| | 5 | | Shoe | | | (2) | | |
| 130 | | ◆ | Puncture detection kit | | 1 | | 311839.00 | |
| | 50 | | Elbow | | | (1) | | |
| | 54 | | Valve | | | (1) | | |
| | 71 | | Fitting | | | (2) | | |
| 130 | | ◆ | Puncture detection kit ATEX | | 1 | | 313746.00 | |
| | 50 | | Elbow | | | (1) | | |
| | 54 | | Valve | | | (1) | | |
| | 71 | | Fitting | | | (2) | | |
| | 72 | | Tee | | | (1) | | |
| | 73 | | Elbow | | | (1) | | |
| | 76 | | Fitting | | | (1) | | |
| 77 | | Connector | | | (1) | | | |
| 130 | | ◆ | Puncture detection kit ATEX | | 1 | | 313746.00 | |
| | 78 | | Capacitive detector | | | (1) | | |
| 130 | | ◆ | Puncture detection kit ATEX | | 1 | | 313746.00 | |
| | 84 | | Amplifier | | | (1) | | |

(◆) To order the required spare parts, indicate the appropriate CUM numbers.

Keep this parts lists with Installation, Operation and Maintenance Instructions.

CVT : FEP encapsulated FKM



Z.I. la Plaine des Isles - 2 rue des Caillottes F-89000 AUXERRE - FRANCE

Tel : +33 (0)3 86 49 86 30 • Fax : +33 (0)3 86 49 87 17

contact@mouvex.com • www.mouvex.com