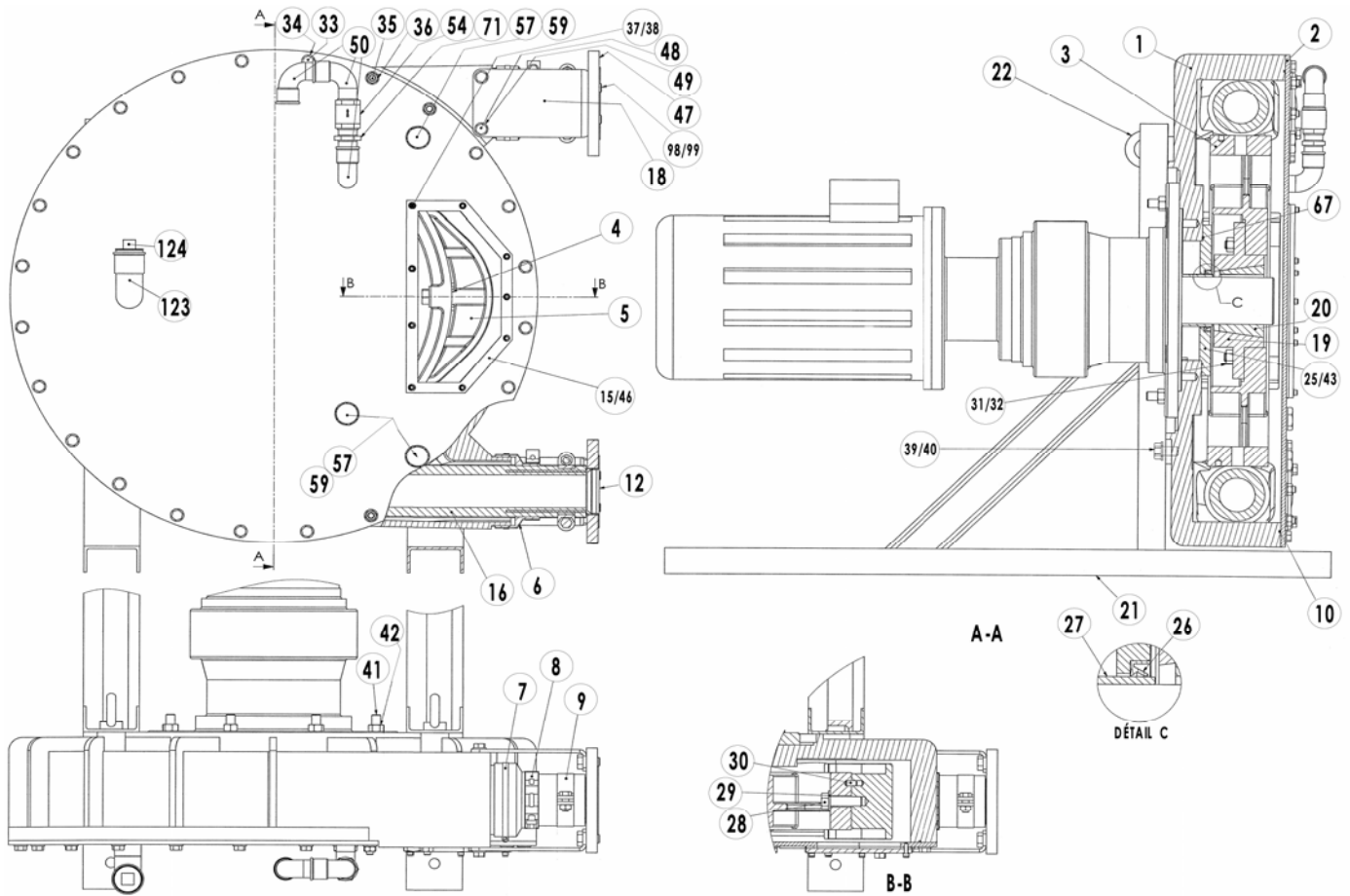


(See Instructions 1101-M00 for Installation, Operation and Maintenance)

Section	1101
Effective	June 2011
Replaces	July 2010



Reference			Description	Variants	Quantity		Article code	Wear parts
Ass.	Part	Available			Order	In Pump	AX80	
	3	▲	Wheel		1		219658	
	10	▲	Cover seal		1		220202	•
	12	▲	Insert	Stainless steel	1	2	217328	•
	1100	▲	Lubricant - Glycerin	10 liters	1		314223.00	•
	1100	▲	Lubricant - Glycerin	30 liters	1		314224.00	•
	15	▲	Window		1		220210	
	16	▲	Hose	NR	1		218742	•
	16	▲	Hose	NBR	1		218743	•
	16	▲	Hose	EPDM	1		218744	•
	18	▲	Bracket	Flange PN16	1	4	217139	
	18	▲	Bracket	Flange PN20	1	4	219101	
	20	▲	Hub		1		217159	
	25	▲	Tightness cover		1		220284	
	43	▲	Screw		1		200414	
	46	▲	Window seal		1		217398	
	67	▲	Seal		1		220228	
114	4	◆	Set of shims		1		312361.00	
			Removable shim			(12)		

Reference			Description	Variants	Quantity		Article code	Wear parts
Ass.	Part	Available			Order	In Pump	AX80	
116	19 31 32	◆	Wheel fixation kit Plate to be screwed Screw Nut		1	(1) (6) (6)	313044.00	
118	6 7 8 9	◆	Boot + Hose clamp Nipple Hose clamp Hose clamp Hose clamp		1	(2) (2) (2) (2)	312793.00	
119	4a 4b 5 30	◆	Set of shoes Fixed shim Fixed shim Shoe Pin	Aluminium	1	(6) (4) (2) (2)	312795.00	
125	26 27	◆	Shaft seal + bushing Shaft seal Seal ring		1	(1) (1)	313045.00	
130	50 54 71 72 73 76 77 78	◆	Puncture detection kit Elbow Valve Fitting Tee Elbow Fitting Connector Capacitive detector		1	(1) (1) (2) (1) (1) (1) (1) (1)	311839.00	
130	50 54 71 72 73 76 77 78 84	◆	Puncture detection kit ATEX Elbow Valve Fitting Tee Elbow Fitting Connector Capacitive detector Amplifier		1	(1) (1) (2) (1) (1) (1) (1) (1) (1)	313746.00	

(◆) To order the required spare parts, indicate the appropriate CUM numbers.

Keep this parts lists with Installation, Operation and Maintenance Instructions.

CVT : FEP encapsulated FKM



Z.I. la Plaine des Isles - 2 rue des Caillottes F-89000 AUXERRE - FRANCE

Tel : +33 (0)3 86 49 86 30 • Fax : +33 (0)3 86 49 87 17

contact@mouvex.com • www.mouvex.com