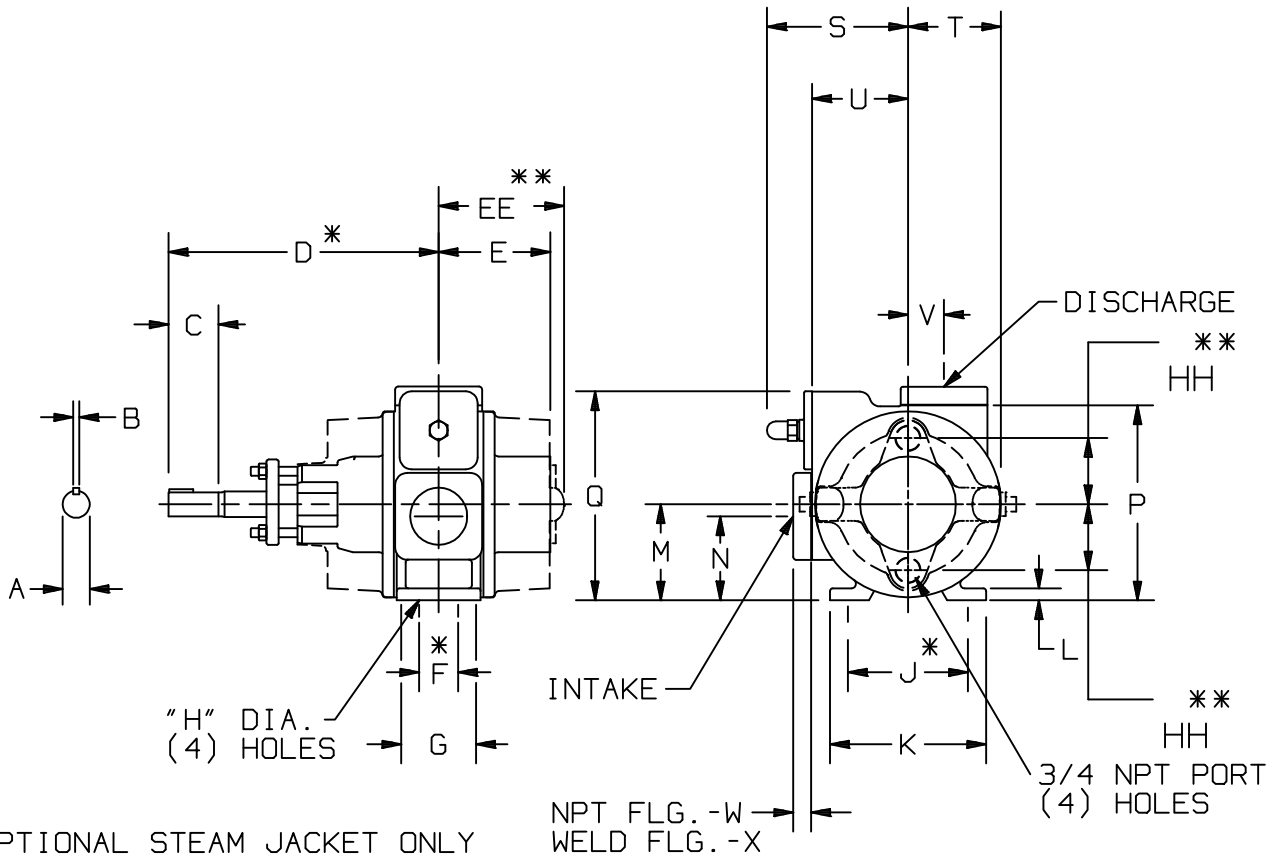


| | | |
|------|------|------------|
| TYPE | SIZE | UNIT STYLE |
| NP | 2F | PO |

| | |
|--------------------|---------------|
| DIMENSIONS 103-105 | |
| Section | 100 |
| Effective | November 2001 |
| Replaces | April 1993 |
| Page 1/3 | |

RIGHT HAND ROTATION. FOR LEFT HAND ROTATION, SHAFT PROJECTION IS OPPOSITE THAT SHOWN.

* TOLERANCE $\pm \frac{1}{8}$
TOLERANCE ON OTHER DIMENSIONS $\pm \frac{1}{4}$

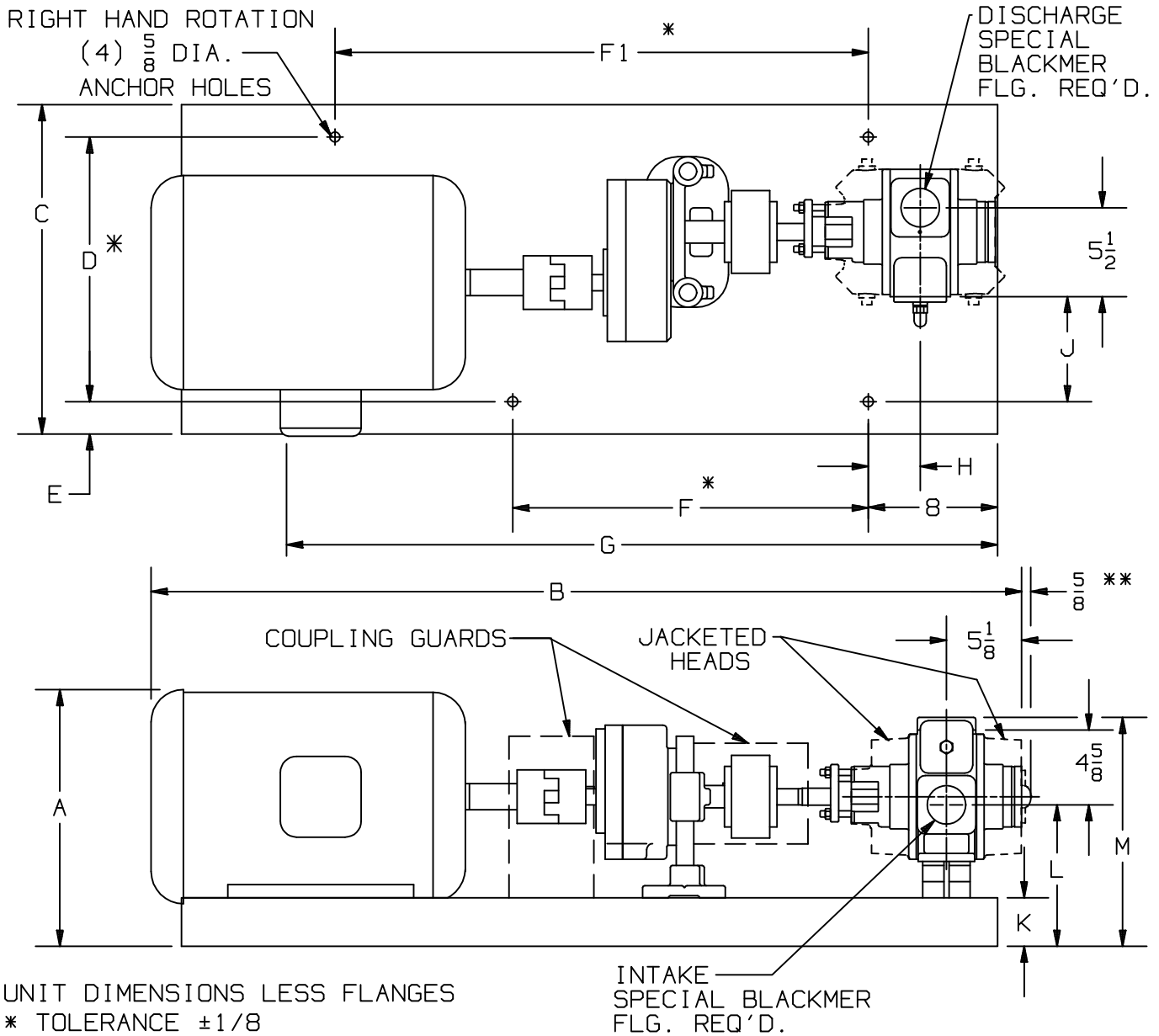


| MOTOR | | | UNITS | DIMENSIONS | | | | | | | | | |
|------------|--|--|-------|------------|-------|--------|--------|---------|-------|-------------|-------------------|------------------------|-------|
| FRAME SIZE | | | | A | B | C | D | E | F | G | H | J | K |
| | | | IN | 1 | 1/4 | 2 1/16 | 11 1/4 | 4 7/8 | 1 5/8 | 3 1/2 | 7/16 | 5 | 6 1/2 |
| | | | MM | 25,4 | 6,4 | 52,4 | 285,8 | 123,8 | 41,3 | 88,9 | 11,1 | 127 | 165,1 |
| | | | | L | M | N | P | Q | R | S | T | U | V |
| | | | IN | 1/2 | 4 | 3 1/2 | 8 1/8 | 8 11/16 | — | 5 7/8 | 3 7/8 | 4 | 1 1/2 |
| | | | MM | 12,7 | 101,6 | 88,9 | 206,4 | 220,6 | — | 149,2 | 98,4 | 101,6 | 38,1 |
| | | | | W | X | Y | Z | AA | BB | CC | DD | EE | FF |
| | | | IN | 13/16 | 1 1/4 | — | — | — | — | — | 13 1/8 | 5 1/4 | — |
| | | | MM | 20,6 | 31,8 | — | — | — | — | — | 333,4 | 133,4 | — |
| | | | | GG | HH | | | | | PUMP WEIGHT | WITH STD. FLANGES | ** WITH JACKETED HEADS | |
| | | | IN | — | 2 3/4 | | | | | LBS | 65 | 77 | |
| | | | MM | — | 69,8 | | | | | KG | 30 | 34,9 | |

NOTE: FOR ANSI AND DIN FLANGE DIMENSIONS, SEE DIMENSION SHEET 103-115

| | | |
|------|------|------------|
| TYPE | SIZE | UNIT STYLE |
| NP | 2 | HRA |

| | |
|--------------------|-------------------|
| DIMENSIONS 103-105 | |
| Section Effective | 100 November 2001 |
| Replaces | October 2000 |
| Page 2/3 | |



UNIT DIMENSIONS LESS FLANGES
* TOLERANCE $\pm 1/8$
TOLERANCE ON OTHER DIMENSIONS $\pm 1/4$
"A" DIMENSION LESS EYEBOLT
** FOR JACKETED HEADS

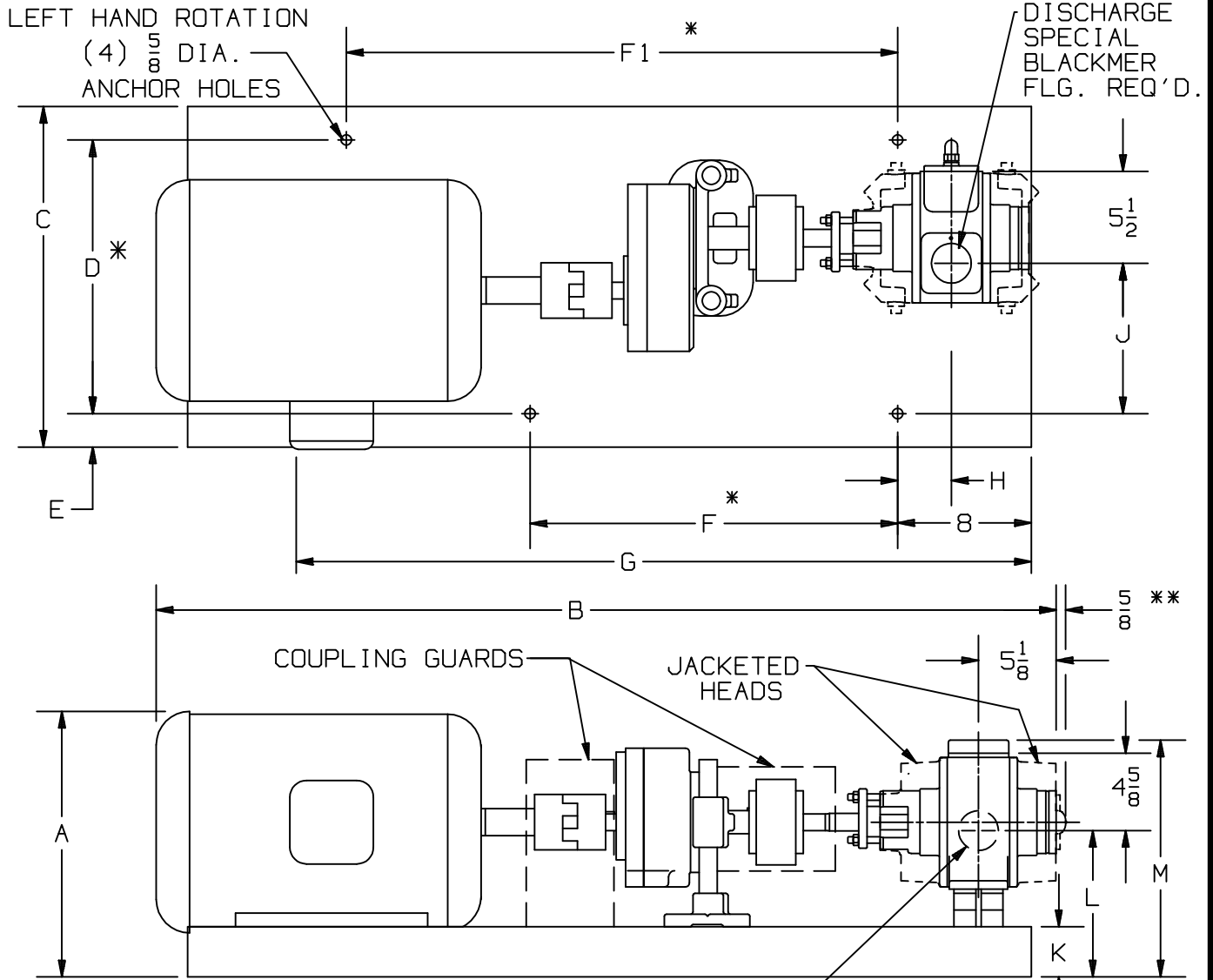
FLG. HT: 2" NPT 13/16
2" WELD 1-1/4

| FRAME SIZE | BASE NO. | DIMENSIONS | | | | | | | | | | | | | | |
|------------|----------|------------|--------|--------|--------|-------|----|----------------|--------|-------|-------|-------|-------|--------|--|--|
| | | A | B | C | D | E | F | F ₁ | G | H | J | K | L | M | | |
| 182T | 901795 | 12 7/8 | 46 | 17 1/4 | 14 | 1 5/8 | 15 | 26 | 44 | 4 1/8 | 5 3/8 | 2 1/4 | 6 3/4 | 12 3/8 | | |
| 184T | 901795 | 12 7/8 | 46 3/4 | 17 1/4 | 14 | 1 5/8 | 15 | 26 | 44 | 4 1/8 | 5 3/8 | 2 1/4 | 6 3/4 | 12 3/8 | | |
| 213T | 901794 | 14 1/8 | 51 5/8 | 20 3/8 | 16 3/8 | 2 | 22 | 33 | 50 1/2 | 3 1/4 | 6 1/2 | 3 | 7 1/2 | 13 1/8 | | |
| 215T | 901794 | 14 1/8 | 51 5/8 | 20 3/8 | 16 3/8 | 2 | 22 | 33 | 50 1/2 | 3 1/4 | 6 1/2 | 3 | 7 1/2 | 13 1/8 | | |
| 254T | 901794 | 16 3/8 | 53 1/2 | 20 3/8 | 16 3/8 | 2 | 22 | 33 | 50 1/2 | 3 1/4 | 6 1/2 | 3 | 7 1/2 | 13 1/8 | | |
| 256T | 901794 | 16 3/8 | 55 1/4 | 20 3/8 | 16 3/8 | 2 | 22 | 33 | 50 1/2 | 3 1/4 | 6 1/2 | 3 | 7 1/2 | 13 1/8 | | |

DIMENSIONS 103-105

Section 100
 Effective November 2001
 Replaces October 2000
 Page 2/3

| | | |
|------|------|------------|
| TYPE | SIZE | UNIT STYLE |
| NP | 2 | HRA |



UNIT DIMENSIONS LESS FLANGES

* TOLERANCE ±1/8

TOLERANCE ON OTHER DIMENSIONS ±1/4

"A" DIMENSION LESS EYEBOLT

** FOR JACKETED HEADS

FLG. HT: 2" NPT 13/16
 2" WELD 1-1/4

| FRAME SIZE | BASE NO. | DIMENSIONS | | | | | | | | | | | | | | |
|------------|----------|------------|--------|--------|--------|-------|----|----------------|--------|-------|-------|-------|-------|--------|--|--|
| | | A | B | C | D | E | F | F ₁ | G | H | J | K | L | M | | |
| 182T | 901795 | 12 7/8 | 46 | 17 1/4 | 14 | 1 5/8 | 15 | 26 | 44 | 4 1/8 | 7 7/8 | 2 1/4 | 6 3/4 | 12 3/8 | | |
| 184T | 901795 | 12 7/8 | 46 3/4 | 17 1/4 | 14 | 1 5/8 | 15 | 26 | 44 | 4 1/8 | 7 7/8 | 2 1/4 | 6 3/4 | 12 3/8 | | |
| 213T | 901794 | 14 1/8 | 51 5/8 | 20 3/8 | 16 3/8 | 2 | 22 | 33 | 50 1/2 | 3 1/4 | 9 | 3 | 7 1/2 | 13 1/8 | | |
| 215T | 901794 | 14 1/8 | 51 5/8 | 20 3/8 | 16 3/8 | 2 | 22 | 33 | 50 1/2 | 3 1/4 | 9 | 3 | 7 1/2 | 13 1/8 | | |
| 254T | 901794 | 16 3/8 | 53 1/2 | 20 3/8 | 16 3/8 | 2 | 22 | 33 | 50 1/2 | 3 1/4 | 9 | 3 | 7 1/2 | 13 1/8 | | |
| 256T | 901794 | 16 3/8 | 55 1/4 | 20 3/8 | 16 3/8 | 2 | 22 | 33 | 50 1/2 | 3 1/4 | 9 | 3 | 7 1/2 | 13 1/8 | | |