

DIMENSIONS 104-103

Section 104
 Effective JULY 2003
 Replaces APRIL 2003
 Pg 2/3

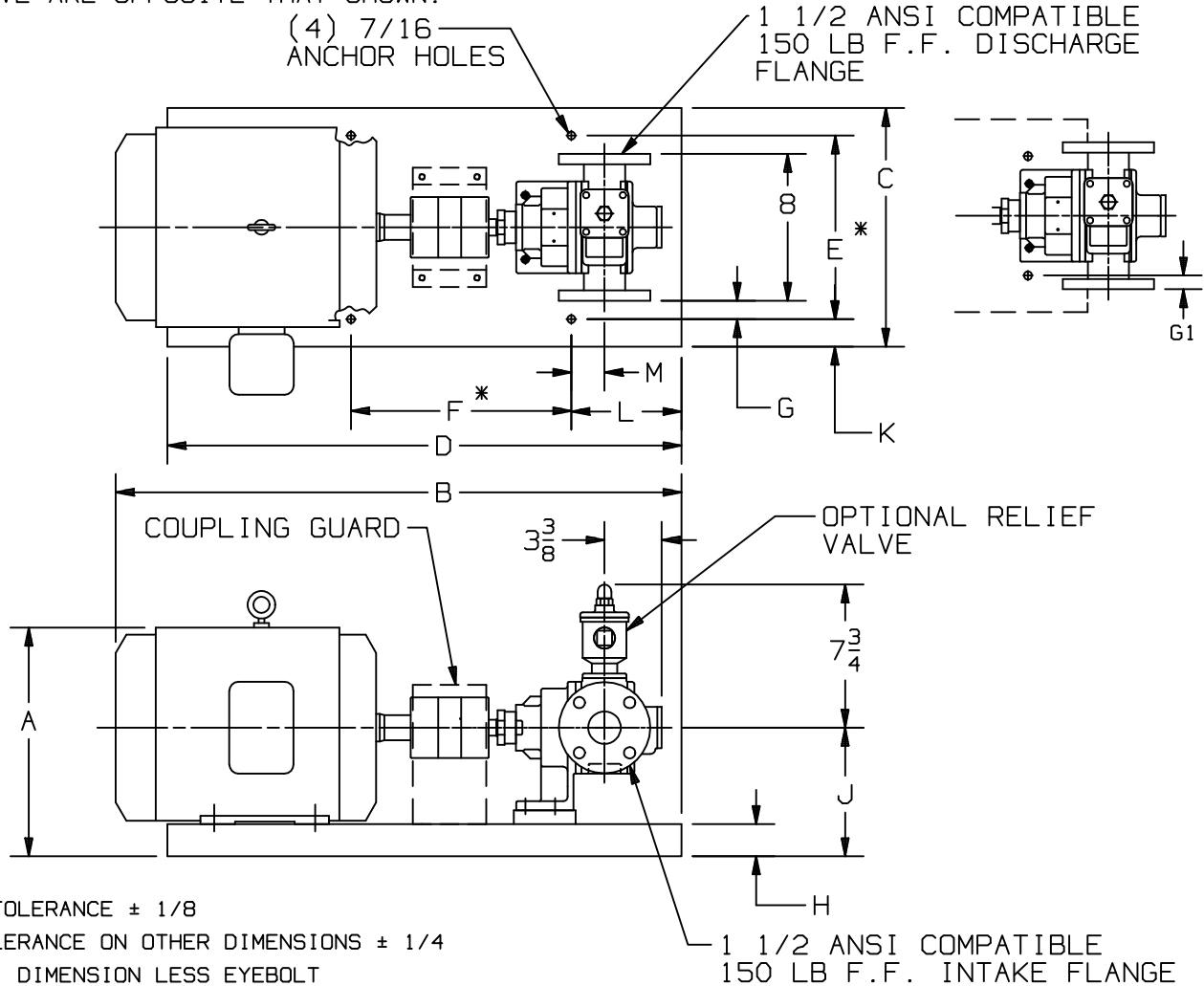
TYPE
 SNP - SNPJ

SIZE
 1.25
 1.5

UNIT
 STYLE
 DM



RIGHT HAND ROTATION. FOR LEFT HAND ROTATION, INTAKE, DISCHARGE, AND RELIEF VALVE ARE OPPOSITE THAT SHOWN.



* TOLERANCE ± 1/8
 TOLERANCE ON OTHER DIMENSIONS ± 1/4
 "A" DIMENSION LESS EYEBOLT

FRAME SIZE	MOTOR		BASE NO.	DIMENSIONS								APPROX. UNIT WT. - POUNDS		
				A	B	C	D	E	F	G	G1	H	LESS MOTOR	INCL. MOTOR
143T			901707	10	26 7/8	8	18	6	6 3/4	-	1	1 1/2	55	95
145T			901707	10	27 3/4	8	18	6	6 3/4	-	1	1 1/2	55	100
182T			901708	11 1/8	28 1/4	10 1/2	21	6 1/2	6 3/4	-	3/4	1 1/2	65	155
184T			901708	11 1/8	30	10 1/2	21	6 1/2	6 3/4	-	3/4	1 1/2	65	190
213T			901709	12 7/8	32 7/8	13	28	10	12	1	-	1 3/4	90	225
215T			901709	12 7/8	33 5/8	13	28	10	12	1	-	1 3/4	90	245
				J	K	L	M							
143T			901707	6	1	3 1/4	4 3/8							
145T			901707	6	1	3 1/4	4 3/8							
182T			901708	6	2	3 1/4	4 3/8							
184T			901708	6	2	3 1/4	4 3/8							
213T			901709	7	1 1/2	6	1 3/4							
215T			901709	7	1 1/2	6	1 3/4							

