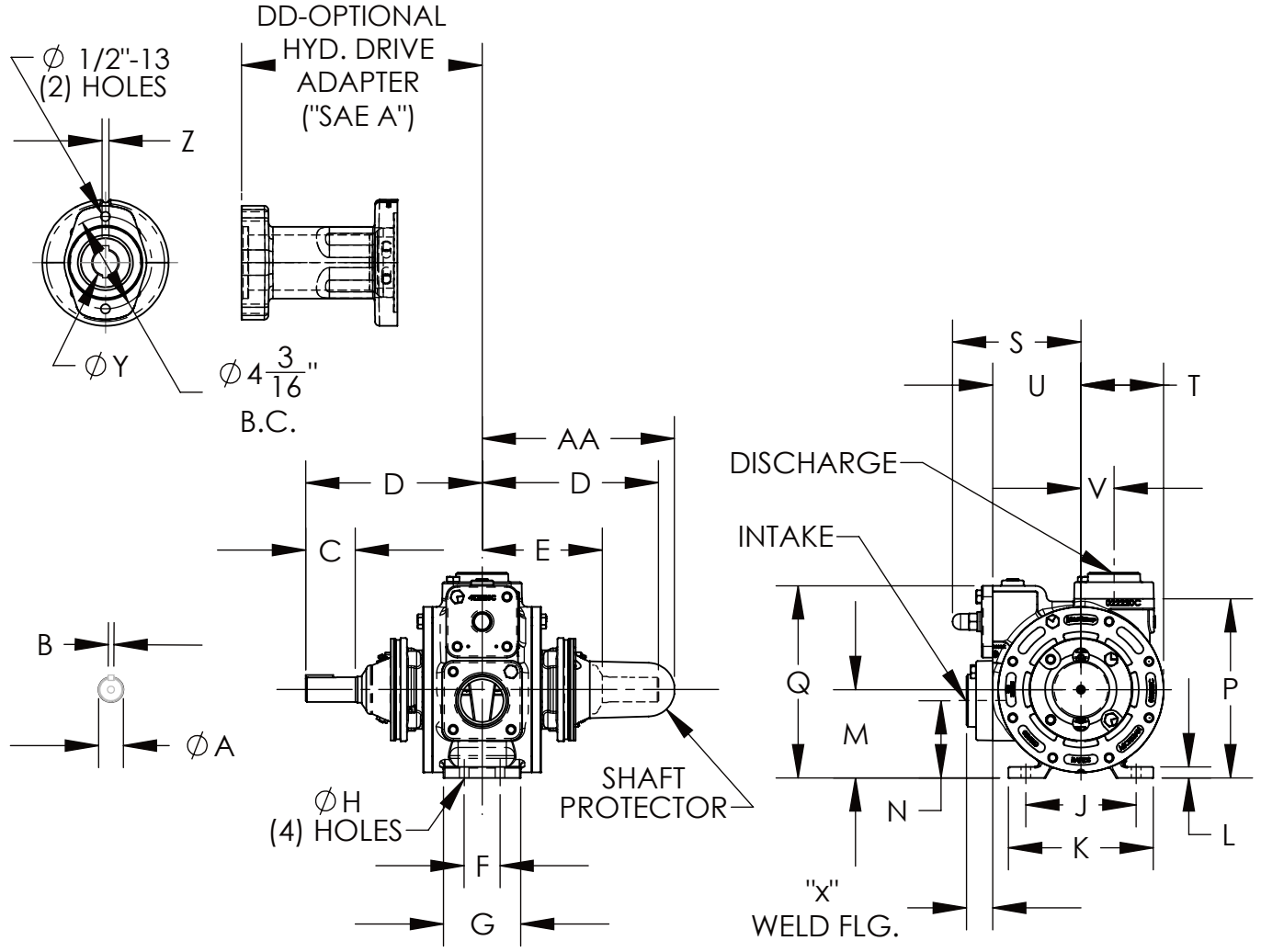


TYPE	SIZE	UNIT STYLE
STX1220A STX1220A-DEF STX2A STX2A-DEF	2	PO

DIMENSIONS 203-103	
Section Effective Replaces Page 1 / 1	203 MARCH 2012 JUNE 2011

RIGHT HAND ROTATION. FOR LEFT HAND ROTATION, SHAFT PROJECTION IS OPPOSITE THAT SHOWN



MOTOR		UNITS	DIMENSIONS									
FRAME SIZE			A	B	C	D	E	F	G	H	J	K
		IN	1 1/8	1/4	2 1/4	8	5 7/16	1 5/8	3 1/2	7/16	5	6 9/16
		MM	28,6	6,4	57,2	203,2	138	41,3	88,9	11,1	127	166,7
			L	M	N	P	Q	R	S	T	U	V
		IN	1/2	4	3 1/2	8 1/8	8 11/16		5 13/16	3 3/4	4	1 1/2
		MM	12,7	101,6	88,9	206,4	220,6		147,8	92,3	101,6	38,1
			W	X	Y	Z	AA				DD	
		IN		1 3/16	1 1/4	5/16	8 3/4				DD	
		MM		30,2	31,8	7,9	222,3				DD	
			PUMP WEIGHT		WITH STD FLANGES						1 1/4" Hyd Motor Shaft	1" Hyd Motor Shaft
			LBS		70						10 7/8	10 9/16
			KG		31.8						276,2	268,3