

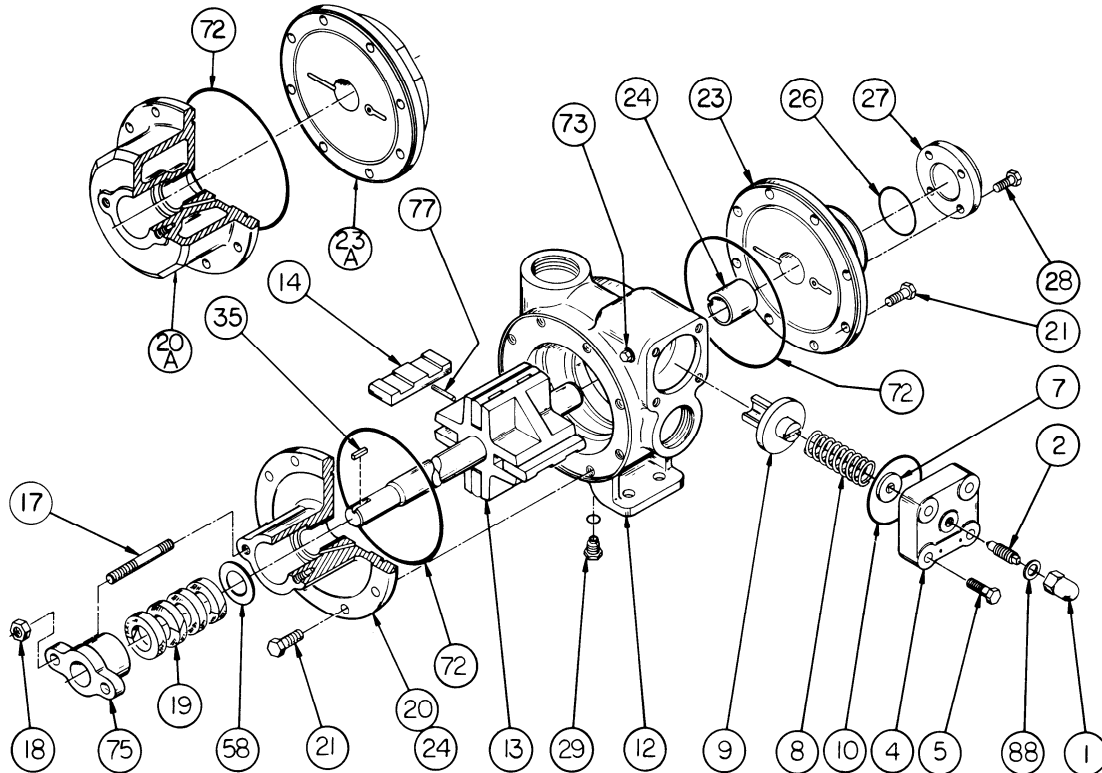
BLACKMER PARTS LIST

PUMP MODEL: NP1.5B

961202 PARTS LIST
Page 1 of 2 103-A01

Keep with Instructions 103-A00 for Installation, Operation and Maintenance

Section 103
Effective Mar 2012
Replaces Aug 2011



Ref. No.	Description	Parts per Pump	Part No.	Ref. No.	Description	Parts per Pump	Part No.
1	Cap - Relief Valve (R/V)	1	411453	14	Vane - Duravane (Std.) ⁵	4	⁴ 091219
2	Adjusting Screw - R/V	1	431401		Vane - EC Cast Iron		093327
4	Cover - R/V (Std.)	1	411469		Vane - EC Bronze		093328
	Cover - R/V ^{1,5}		411268	20	Head & Bushing Asy. - Inboard	1	031252
5	Capscrew - R/V Cover (Std.)	4	920316	20A	Jacketed Head & Bushing Asy. - Inbd. ³	0 - 1	031256
	Capscrew - R/V Cover ^{1,5}		920369	21	Capscrews - Head	16	920331
7	Spring Guide - R/V	1	423955	23	Head & Bushing Asy. - Outboard	1	031253
8	Spring - R/V (51-75 psi)	1	471420	23A	Jacketed Head & Bushing Asy - Outbd.	0 - 1	031257
	Spring - R/V (76-100 psi)		471425	24	Bushing (Sleeve Bearing)	2	⁴ 161200
	Spring - R/V (101-150 psi)		471424	26	O-Ring - Bearing Cover (FKM) (Std.)	1	⁴ 711908
	SS Spring - R/V (51-75 psi)		471418		O-Ring - Bearing Cover (PTFE)		702076
	SS Spring - R/V (76-100 psi)		471427		O-Ring - Bearing Cover (Buna-N) ⁵		702204
	SS Spring - R/V (101-150 psi)		471429	27	Bearing Cover	1	041215
	SS Spring - R/V (151-200 psi) ^{1,5}		471268	28	Capscrews - Bearing Cover	4	⁶ 920128
9	Valve - R/V (Std.)	1	451416	29	Pipe Plug Asy. ² (SAE # 6) (FKM) (Std)	1	908212
	Valve - R/V (Nickel Plated) ⁵		451414		Pipe Plug Asy. ² (SAE # 6) (PTFE)		908213
10	O-Ring - R/V Cover (FKM) (Std.)	1	⁴ 702212		Pipe Plug Asy. (SAE #6) (Buna-N) ⁵		908211
	O-Ring - R/V Cover (PTFE)		702213	35	Key - Shaft	1	⁴ 909160
	O-Ring - R/V Cover (Buna-N) ⁵		702211	72	O-Ring - Head (FKM) (Std.)	2	⁴ 702048
12	Cylinder (Std.)	1	021203		O-Ring - Head (PTFE)		702111
	Cylinder w/ Drain (Cast Iron) ^{2,5}		021202		O-Ring - Head (Buna-N) ⁵		702117
13	Rotor & Shaft	1	261201	73	Gage Plug	2	908198
				77	Push Rods	2	⁴ 123305
				88	Gasket - R/V Cap	1	⁴ 701981
				—	Kit — Maintenance	—	898928

SS = Stainless Steel EC = Extra Clearance

¹ Optional High Pressure Relief Valve – parts must be used as a group (p/n's 411268, 920369, and 471268).

² Cylinder p/n 021202 includes an SAE Plug. ³ Crane #9 option not available with jacketed heads. ⁴ Included in Maintenance Kit

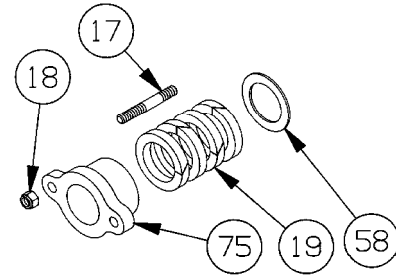
⁵ AFFF service pumps include: Nickel Pltd. High Press. RV, 200 psi RV spring, Buna O-rings, Cyl. w/ Drain, Lip Seal & Duravanes.

⁶ Pumps prior to March 2012 used a cast bearing cover (27) requiring a longer capscrew PN 920178.

PACKING - STANDARD

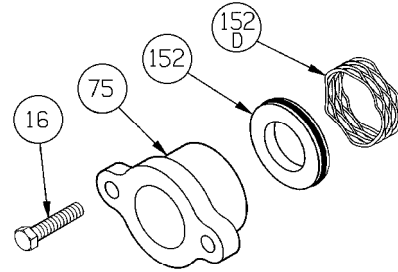
Ref. No.	Part Name	Parts Per Pump	Part No.
17	Stud - Packing Follower	2	921450
18	Nut - Packing Follower Stud	2	922428
19	Packing Set	1	⁴ 323376
58	Pack Washer	1	353307
75	Packing Follower	1	141205

⁴ Included in Maintenance Kit



LIP SEAL – OPTIONAL ⁵

Ref. No.	Part Name	Parts Per Pump	Part No.
16	Capscrew - Follower	2	920316
75	Seal Follower	1	141205
152	Lip Seal Assembly (To 500°F)	1	702243
152D	Wave Spring	1	321201

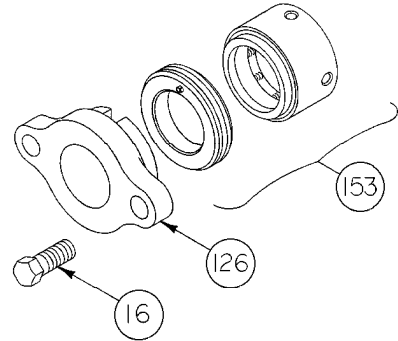


COMMERCIAL MECHANICAL SEAL – OPTIONAL*

Ref. No.	Part Name	Parts Per Pump	Part No.
16	Capscrew - Seal Retainer	2	920316
126	Seal Retainer	1	141206
153	Mechanical Seal Asy. Crane #9	1	331276

*Not available for jacketed configuration.

NOTE: Seal Materials (Ni-resist, Carbon, FKM)



TRIPLE-LIP CARTRIDGE SEAL - OPTIONAL

Ref. No.	Part Name	Seal	Seal Rebuild Kit
—	TRIPLE-LIP CARTRIDGE SEAL	331214	899102
220	Shaft Sleeve O-Ring	2	X
221	Shaft Sleeve	1	
222	Gasket	1	X
223	Gland Plate Assembly	1	
224	Element O-Ring	1	X
225	Seal Spacer	1	X
226	Seal Element	3	X
227	Flushing Spacer	1	X
228	Flushing Spacer O-Ring	1	X
229	Retaining Ring	1	
230	Snap Ring	1	X
231	Shaft Sleeve Setscrews	6	X
233	Gland Capscrew	4	X
234	Flat Washer	4	X

X = Included in Seal Rebuild Kit

