

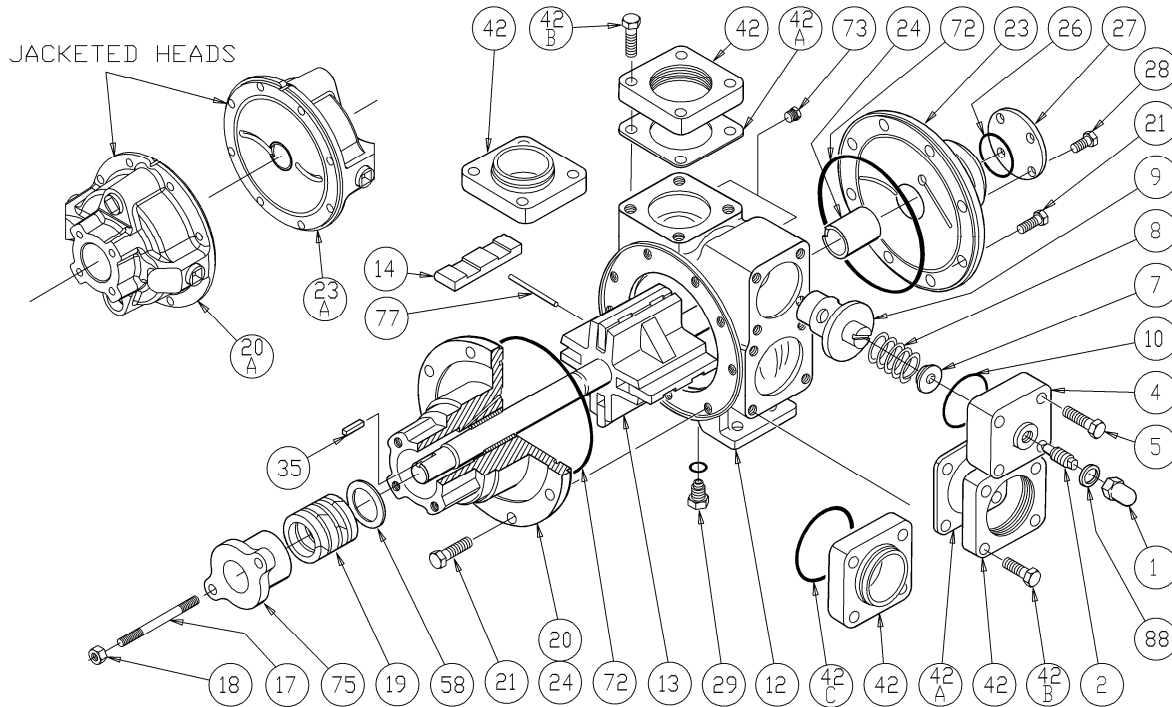
# BLACKMER PARTS LIST

## PUMP MODEL: NP2F

961402      PARTS LIST  
Page 1 of 2      103-A02

Section | 103  
Effective | Nov 2012  
Replaces | Aug 2011

Keep with Instructions 103-A00 for Installation, Operation and Maintenance



Ref. No.	Description	Parts per Pump	Part No.	Ref. No.	Description	Parts per Pump	Part No.
1	Cap – Relief Valve (R/V)	1	411453	20	Head & Bushing Asy. - Inboard	1	031476
2	Adjusting Screw – R/V	1	431401	20A	Head & Bushing Asy. – Inboard (Jacket)	1	031472
4	Cover – R/V (Std.)	1	411469	21	Capscrews - Head	16	920341
	Cover – R/V <sup>1,5</sup>		411468	23	Head & Bushing Asy. - Outboard	1	031477
5	Capscrew – R/V Cover (Std.)	4	920316	23A	Head & Bushing Asy. – Outboard (Jacket)	1	031473
	Capscrew – R/V Cover <sup>1,5</sup>		920401	24	Bushing (Sleeve Bearing)	2	<sup>4</sup> 161400
7	Spring Guide – R/V	1	423955	26	O-Ring – Bearing Cover (FKM) (Std.)	1	<sup>4</sup> 702209
8	Spring – R/V (36-50 psi)	1	471415		O-Ring – Bearing Cover (PTFE)		702126
	Spring – R/V (51-75 psi)		471420		O-Ring - Bearing Cover (Buna-N) <sup>5</sup>		701929
	Spring – R/V (76-110 psi)		471425	27	Bearing Cover	1	041400
	Spring – R/V (111-150 psi)		471428	28	Capscrews – Flange	4	920291
	SS Spring – R/V (51-75 psi)		471418	29	Pipe Plug Asy. (SAE #6) (FKM) (Std.)	1	908212
	SS Spring – R/V (76-110 psi)		471427		Pipe Plug Asy. (SAE #6) (PTFE)		908213
	SS Spring – R/V (111-150 psi)		471429		Pipe Plug Asy. (SAE #6) (Buna-N) <sup>5</sup>		908211
	SS Spring – R/V (151-200 psi) <sup>1,5</sup>		471468	35	Key Shaft	1	<sup>4</sup> 909160
9	Valve – R/V (Std.)	1	451417	42 <sup>2</sup>	Flange – 2” NPT (Std.)	2	651411
	Valve – R/V (Nickel Plated) <sup>5</sup>		451415		Flange – 2” Weld		654405
10	O-Ring – R/V Cover (FKM) (Std.)	1	<sup>4</sup> 702212	42A	Gasket – NPT Flange (Comp.) (Std.)	2	<sup>4</sup> 381421
	O-Ring – R/V Cover (PTFE)		702213	42B	Capscrew – Flange	8	920351
	O-Ring – R/V Cover (Buna-N) <sup>5</sup>		702211	42C	O-Ring – Flange (FKM)	0 - 2	701921
12	Cylinder (Std.)	1	021403		O-Ring – Flange (PTFE)		702056
	Cylinder w/ SAE Drain (Cast Iron) <sup>5</sup>		021402		O-Ring – Flange (Buna-N) <sup>5</sup>		701934
13	Rotor & Shaft, Open Rotor (Shown)	1	261468	72	O-Ring – Head (FKM) (Std.)	2	<sup>4</sup> 702241
	Rotor & Shaft, Closed Rotor (Opt.)		261475		O-Ring – Head (PTFE)		702242
14	Vane – Duravane (Std.) <sup>5</sup>	4	<sup>4</sup> 091419		O-Ring – Head (Buna-N) <sup>5</sup>		702022
	Vane – EC Laminate		091429	73	Gage Plug	2	908198
	Vane – EC Cast Iron		093923	77	Push Rods	2	<sup>4</sup> 123905
	Vane – EC Bronze		093924	88	Gasket – R/V Cap	1	<sup>4</sup> 701981
				—	Kit — Maintenance	—	898929

<sup>1</sup> Optional High Pressure Relief Valve - parts must be used as a group (includes p/n's 411468, 920401, and 471468).

<sup>2</sup> See backside for Flange Options.

<sup>4</sup> Included in Maintenance Kit

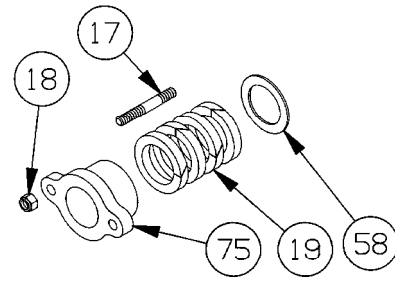
EC = Extra-Clearance      SS = Stainless Steel

<sup>5</sup> AFFF service pumps include: Nickel Pltd. High Press. RV, 200 psi RV spring, Buna O-rings, Cyl. w/ Drain, Lip Seal & Duravanes.

**PACKING - STANDARD**

Ref. No.	Part Name	Parts Per Pump	Part No.
17	Stud - Packing Follower	2	921450
18	Nut - Packing Follower Stud	2	922428
19	Packing Set	1	<sup>4</sup> 321400
58	Pack Washer	1	351207
75	Packing Follower	1	141468

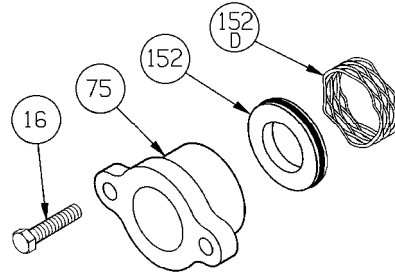
<sup>4</sup> Included in Maintenance Kit



**LIP SEAL – OPTIONAL <sup>5</sup>**

Ref. No.	Part Name	Parts Per Pump	Part No.
16	Capscrew - Follower	2	920295
75	Seal Follower	1	141468
152	Lip Seal Assembly (To 500°F)	1	702244
152D	Wave Spring	1	321401

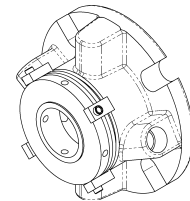
**NOTE:** A Commercial Mechanical Seal (Cartridge Type) can be used in place of packing or lip seals. Consult mechanical seal manufacturer for more information.



**COMMERCIAL MECHANICAL SEAL (Cartridge Type) - OPTIONAL**

Ref. No.	Part Name	Parts Per Pump	Part No.
-	John Crane 5610	1	331471

**NOTE:** Seal Materials (Sil-Car, Carbon, FKM)

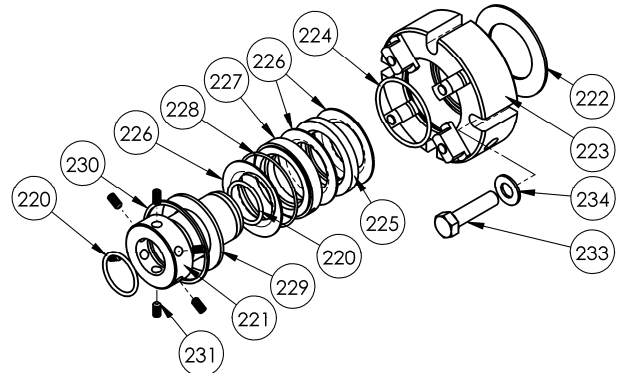


Commercial Mechanical Seal Cartridge Type

**TRIPLE-LIP CARTRIDGE SEAL - OPTIONAL**

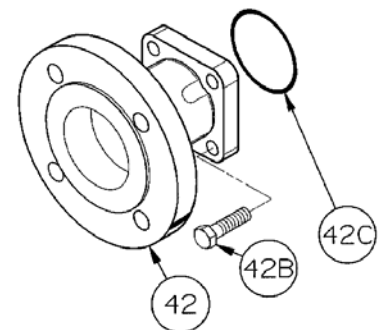
Ref. No.	Part Name	Seal	Seal Rebuild Kit
—	<b>TRIPLE-LIP CARTRIDGE SEAL</b>	<b>331773</b>	<b>899104</b>
220	Shaft Sleeve O-Ring	2	X
221	Shaft Sleeve	1	
222	Gasket	1	X
223	Gland Plate Assembly	1	
224	Element O-Ring	1	X
225	Seal Spacer	1	X
226	Seal Element	3	X
227	Flushing Spacer	1	X
228	Flushing Spacer O-Ring	1	X
229	Retaining Ring	1	
230	Snap Ring	1	X
231	Shaft Sleeve Setscrews	6	X
233	Gland Capscrew	4	
234	Flat Washer	4	

X = Parts Included in Seal Rebuild Kit



**FLANGE OPTIONS**

Ref. No.	Part Name	Parts Per Pump	Part No.
42	Flange – ANSI 2" 150 lb. R.F.	1-2	651417



ANSI FLANGE

